

Surge Protective Device

Technical Documentation



The **PEMCO HSP-121 Series** is an advanced 3-stage hybrid, solid state power line protector. Features such as noise filtering, common mode and normal mode suppression, nanosecond reaction time, power line tracking, and compression screw terminations make the HSP-121 Series an excellent choice in commercial and industrial applications.

The HSP-121 Series offers a replaceable fuse designed to remove the load (protected equipment) from the line if the unit is either overloaded or the internal protection fails. This

feature prevents surges from entering equipment through a failed protector, not noticed by the user. Unlike models with only an indicator, which may take weeks to notice, the HSP-121 Series demands immediate attention upon the unlikely occurrence of internal failure.

General Technical Specifications

Operating Voltage	120
Clamping Voltage	325V
Operating Current	15 Amp / 15 Amp - also available in 20Amps
Peak Surge Current	Min 15 kA (8 x 20 μ s)
Operating Frequency	47-63 Hz
EMI Attenuation	> 40 dB (100 kHz to 100 MHz)
SPD Technology	Multi Stage Hybrid w X-coil tech / MOVs
Modes of Protection	Line-to-Neutral, Line-to-Ground, Neutral-to-Ground
Status Indication	Power On & MOVs functional
Connection Type	3 position, 20 A terminal block w/ compression screws Terminals accept up to 14 AWG
Operating Temperature	-40°C to +85°C
Dimensions (in / mm)	Exposed Terminal Design: 1.8" H x 2.9" W x 5.3" L [46 x 74 x 135 mm] NEMA: 3.00" H x 4.25" W x 1.38" L [74.93 x 125.73 x 76.2 mm]
Weight (oz / kg)	10 oz [0.28 kg]
Warranty	10 years

Key Specs

- **Voltage:** 120
- **Current:** 15
- **Connection:** Hardwire/ Terminal Block
- **Mounting:** Flange

*See Ordering Information for model number selection

Features

- Fast response time
- Failure indicator
- Power line tracking
- EMI/RFI noise filtering
- 3-stage hybrid design
- Replaceable fuse
- Enclosure Options
- 10 year warranty



DANGER!

Only qualified personnel should install or service this system. Electrical safety precautions must be followed when installing or servicing this equipment. To prevent risk of electrical shock, turn off and lock out all power sources to the unit before making electrical connections or servicing.

Installation Instructions

Note:

1. Remove power from equipment to be protected.
2. Mount HSP-121 Series in a UL approved housing. Keep all leads as short as possible.
3. Position unit within the equipment cabinet so that the fuse holder will be accessible should the fuse need replacing.
4. Secure HSP-121 Series using up to 2 screws to fit 3/16" [4.76 mm] hole openings.
5. Make sure wiring from power sources properly connects to LINE side of HSP-121 Series (torque to 7 in. lbs.). Wiring from protected equipment must properly connect to EQUIP side of HSP-121 Series (torque to 7 in. lbs.).
6. Connect only to 120 VAC, 15 Amp Max., single phase, three wire circuit.
7. Indication of internal disconnect:
 - a. Indicator will extinguish.
 - b. Blown fuse will disconnect load from power source.

Warning

Disconnect AC source before replacing fuse. For continued protection against risk of fire, replace only with same type rating of fuse (3 AB, 15 A/250 V).

Avertissement

Débranchez la source de la tension AC avant que replacer le fusible. Pour assurer la protection contre feu continuée, remplacez le fusible avec exactement le même class du fusible (3 AB, 15 A/250 V).

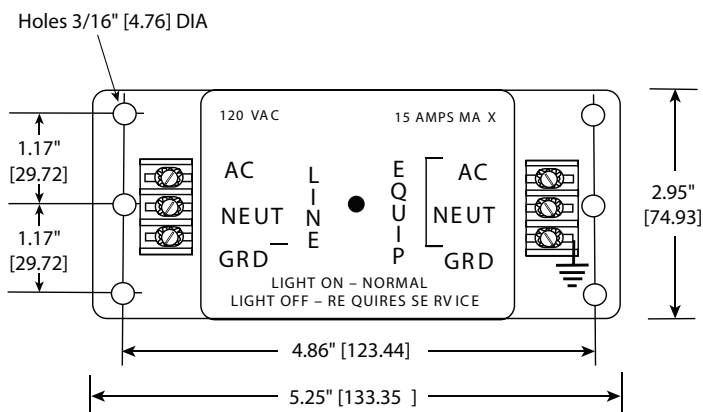
Ordering Information

MODEL	APPLICATION
HSP-121BT1RUP	120VAC (L,N,G), 15Amp, Single Phase, Exposed Terminal Design

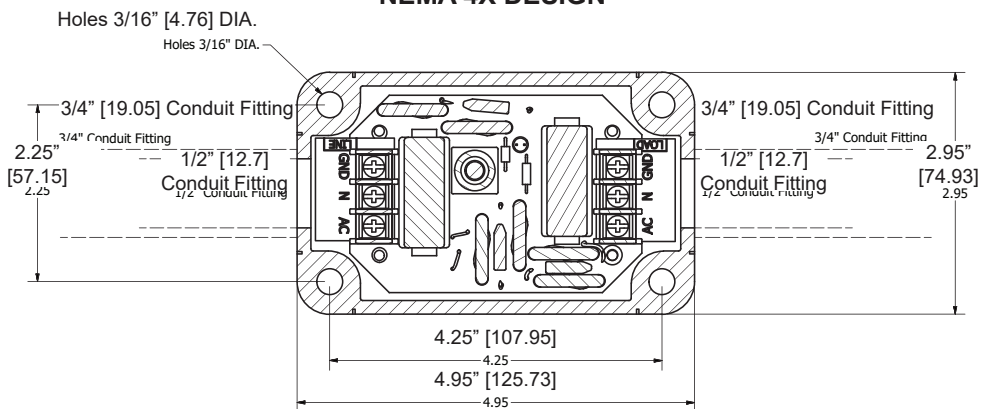
Call for 240Volt Pricing

Dimensions

EXPOSED TERMINAL DESIGN MODEL



NEMA 4X DESIGN



PEMCO
11400 47th St Ste A
Clearwater, FL 33762
Phone: (800) 800-0966
www.pemfco.com

